

## Features

- 0.125 gpf (0.47 lpf)
- Activation distance is factory-set
- Chloramine and chlorine resistance on all rubber components exposed to waterway
- Engineered for optimal performance with KOHLER® commercial fixtures
- 125-micron filter protects internal components
- High back pressure vacuum breaker
- Locking stop cap provides protection against vandalism
- No external flush volume adjustment ensures water conservation
- 24-hour automatic sentinel flush keeps trapway fresh
- Mechanical override enables flushometer to be used manually even during a power outage
- Powered by a 30 year/875,000 cycle hybrid energy cell, based on 72 uses per day

## Material

- Brass construction with durable Polished Chrome finish

## Technology

- Flushometer activates when hand is waved over electronic infrared WAVE sensor
- Patented piston technology for superior flush volume accuracy

## Installation

- Intended for urinal installations with 3/4" (19 mm) top spud coupling connection

## Recommended Products/Accessories

K-23723 Faucet cleaner  
1421939  
1509698

## Optional Products/Accessories

GP1118986  
K-10313 Flushometer 12" rough-in kit



**ADA** **CSA B651** **OBC**

## Codes/Standards

ASME A112.18.1/CSA B125.1  
ASSE 1037/ASME A112.1037/CSA B125.37  
EPA WaterSense®  
ADA  
ICC/ANSI A117.1  
CSA B651  
OBC

## KOHLER® One-Year Limited Warranty

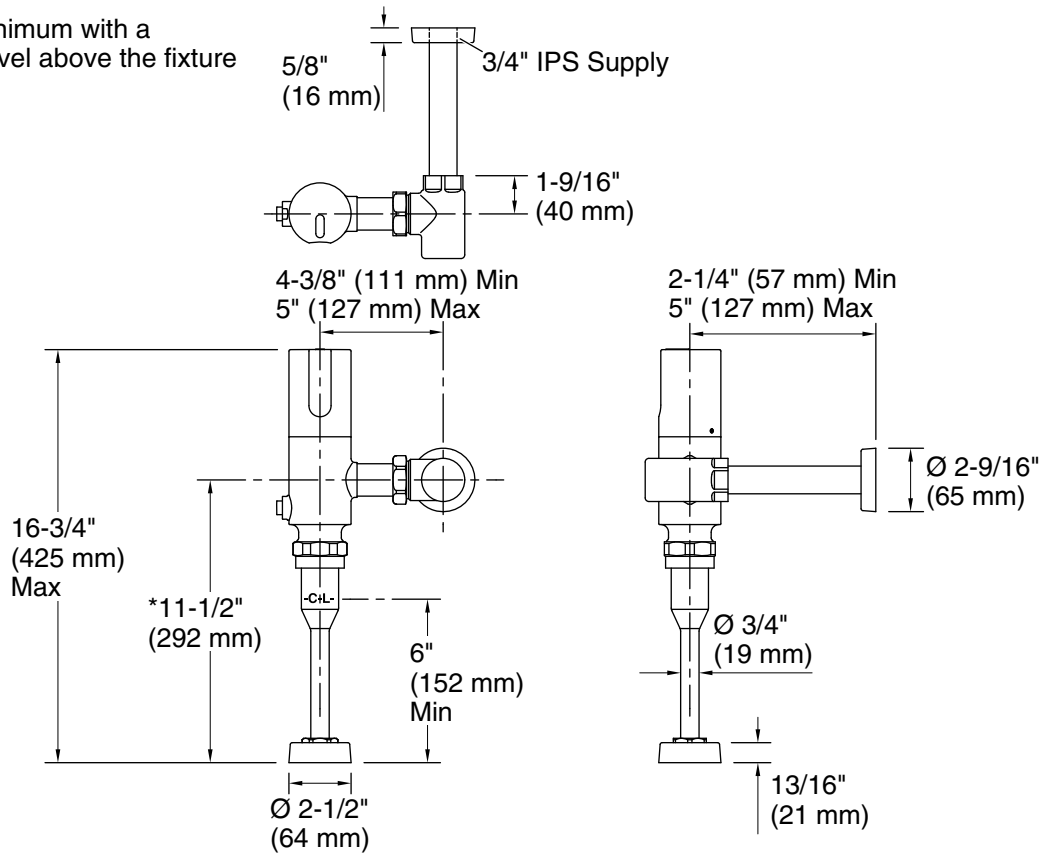
See website for detailed warranty information.

## Available Colors/Finishes

*Color tiles intended for reference only.*

Color	Code	Description
	CP	Polished Chrome

\*10-3/4" (273 mm) minimum with a  
 6" (152 mm) critical level above the fixture



**Technical Information**

All product dimensions are nominal.

**Pressure/fixture Supply Requirements**

Fixture pressure max (static):	80 psi (551.6 kPa)
Fixture pressure min (static):	25 psi (172.4 kPa)
Min flowing pressure:	25 psi (172.4 kPa)
Min flow rate:	25 gpm (94.6 lpm)

**Notes**

Install this product according to the installation instructions.

ADA, OBC, CSA B651 compliant when installed to the specific requirements of these regulations.